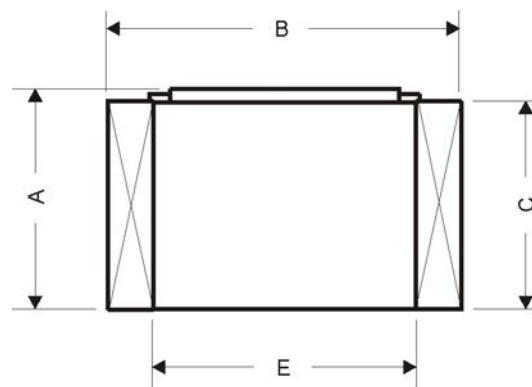
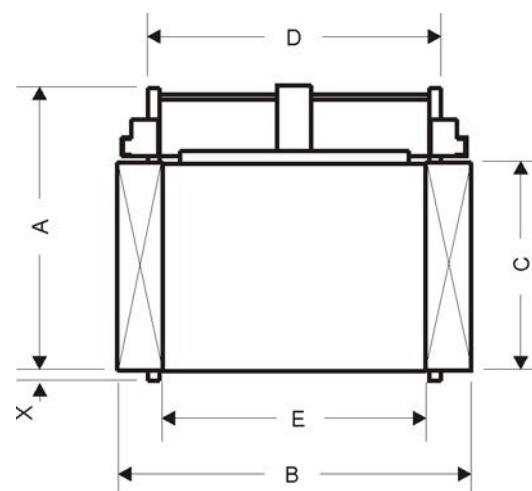


## JOGGER R / RA

### Technical data



*Jogger type R*

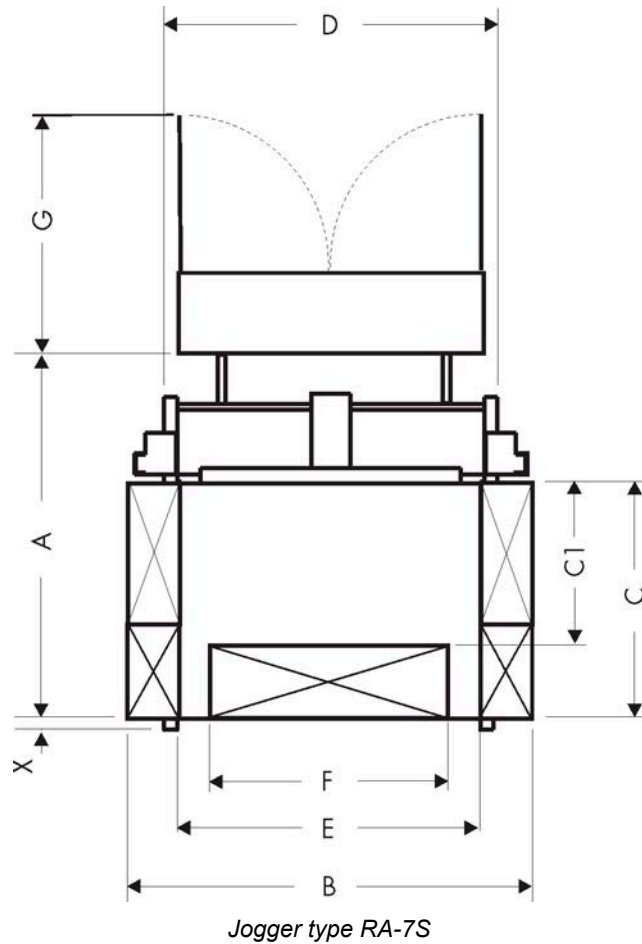


*Jogger type RA*

	<b>R-2</b>	<b>RA-2</b>	<b>R-4</b>	<b>RA-4</b>	<b>RA-6</b>
<b>A (mm)</b>	860	1120	1000	1240	1520
<b>B (mm)</b>	1270	1270	1550	1550	1850
<b>C (mm)</b>	725	725	905	905	1135
<b>D (mm)</b>	-	1000	-	1280	1580
<b>E (mm)</b>	870	870	1150	1150	1450
<b>X (mm)</b>	-	50	-	50	50
<b>Weight (kg)</b>	350	450	420	550	720
<b>Format (cm)</b>	72 x 87	72 x 87	90 x 115	90 x 115	113 x 140
Use height, max./min. (cm)	16,5	16,5 / 3	16,5	16,5 / 3	16,5 / 3
Table height (cm)	86 - 95	86 - 95	86 - 95	86 - 95	89 - 99
Static floor load (daN/m <sup>2</sup> )	467	303	379	276	248
Voltage (V; 50/60 Hz)	220/400	220/400	220/400	220/400	220/400
Current (A)	3,1 / 1,5	3,1 / 1,5	3,1 / 1,5	3,1 / 1,7	3,5 / 1,7
Compressed air, max. (bar)	8	8	8	8	8
Operating pressure, max. (bar)	6	6	6	6	6
Compressed-air requirement (l/min)	2	9	2	9	13
Electric power consumption (apparent power) (kVA)	0,9	0,9	0,9	1	1
Heat output (BTU/h)	2919	2919	2919	3243	3243

# JOGGER RA 7S

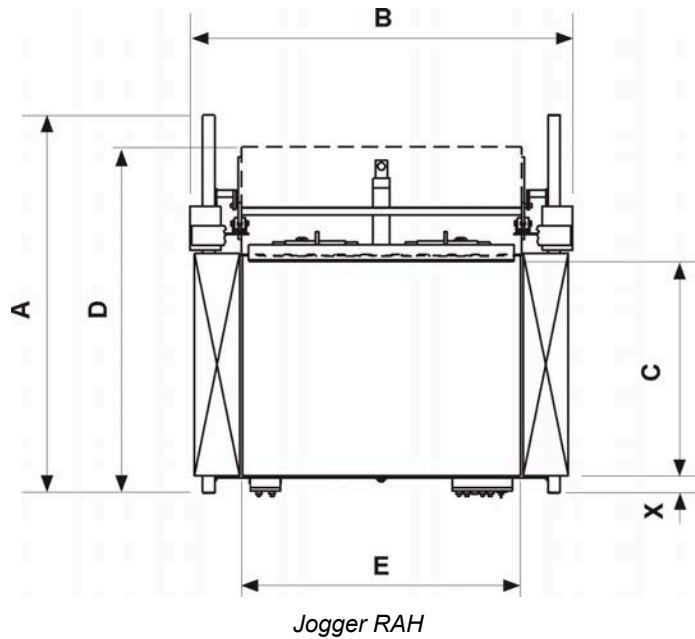
## Technical data



	RA-7S
A (mm)	1810
B (mm)	2080
C (mm)	1265
C1 (mm)	-
D (mm)	1890
E (mm)	1650
F (mm)	-
G (mm)	800
X (mm)	65
Weight (kg)	1100
Pile height, max./min. (mm)	165 / 30
Table height (cm)	85 - 95
Static floor load (daN/m <sup>2</sup> )	245
Voltage (V; 50/60 Hz)	220/400
Electricity (A)	3,5 / 1,7
Compr. air, max. (bar)	8
Nom. pressure, max. (bar)	6
Compressed air requirement [l/min]	20
Electrical power input (apparent power) (kVA)	2
Thermal rating (BTU/h)	6487

# JOGGER RAH

## Technical data



	RAH - 4	RAH - 6
<b>A (mm)</b>	1565	1800
<b>B (mm)</b>	1605	1955
<b>C (mm)</b>	900	1130
<b>D (mm)</b>	1430	1660
<b>E (mm)</b>	1150	1450
<b>X (mm)</b>	75	70
Feeding size, max. ( X mm x Y mm)	1140 x 750	1440 x 1000
Weight (kg)	635	800
Pile height, max./min. (mm)	140 / 30	140 / 30
Table height (mm)	860 - 970	890 - 980
Static floor load (daN/m <sup>2</sup> )	257	228
Electrical power input (apparent power) (kVA)	1	1
Thermal rating (BTU/h)	3243	3243
Compressed air, max. (bar)	8	8
Nom. compr. air pressure, max. (bar)	6	6
Compressed air requirement [l/min.]	25	29