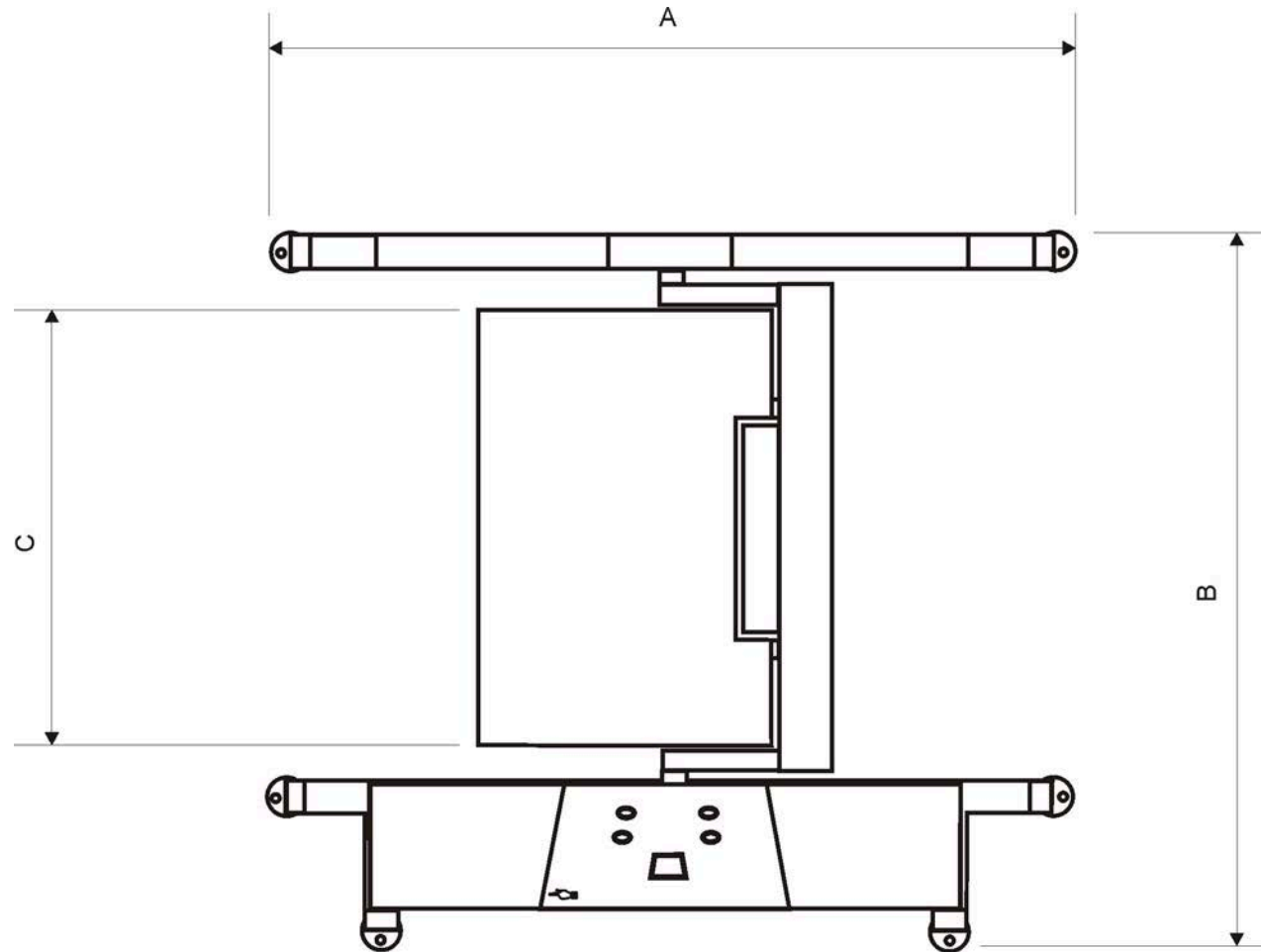


PILE TURNER PW 1

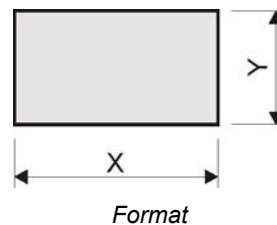
Technical data



	PW - 1
A [mm]	1.500
B [mm]	1.480
C [mm]	840
Weight, net [kg]	335
Format, max. (X) [mm]	740
Format, max. (Y) [mm]	640
Platform size, max. (X) [mm]	836
Platform size, max. (Y) [mm]	675
Pile height, max., incl. 2 machine pallets [mm]	1.255
Pile height, min., incl. 2 machine pallets [mm]	470
Carrying capacity, max. [kg]	500
Max. height (incl. swivel area) [mm]	1.500
Rotating time / pile (sec.)	42
Supply voltage 200 - 240V, 50/60 Hz: Current consumption [A] Fuse [A]	1,9 15
Supply voltage 360 - 420V, 50/60 Hz: Current consumption [A] Fuse [A]	0,9 16
Electr. power draw (apparent power) [kVA]	0,6
Thermal output [BTU/h]	1.946

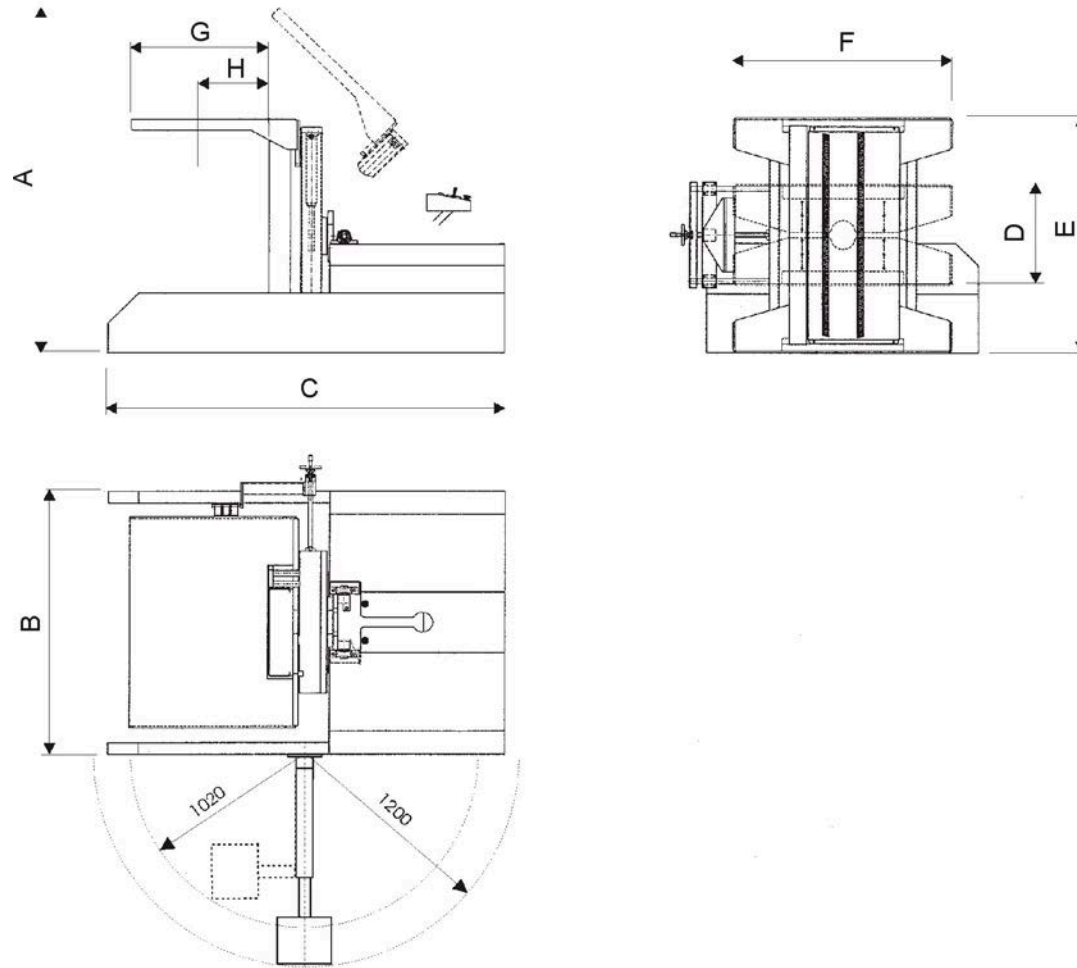
Please note!

The wire cross section of the main power supply to the machine must comply with the regulations in the country of use. The same applies to the plug-in connections used.



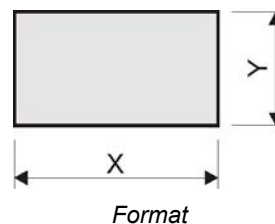
PILE TURNER PW 4

Technical Data



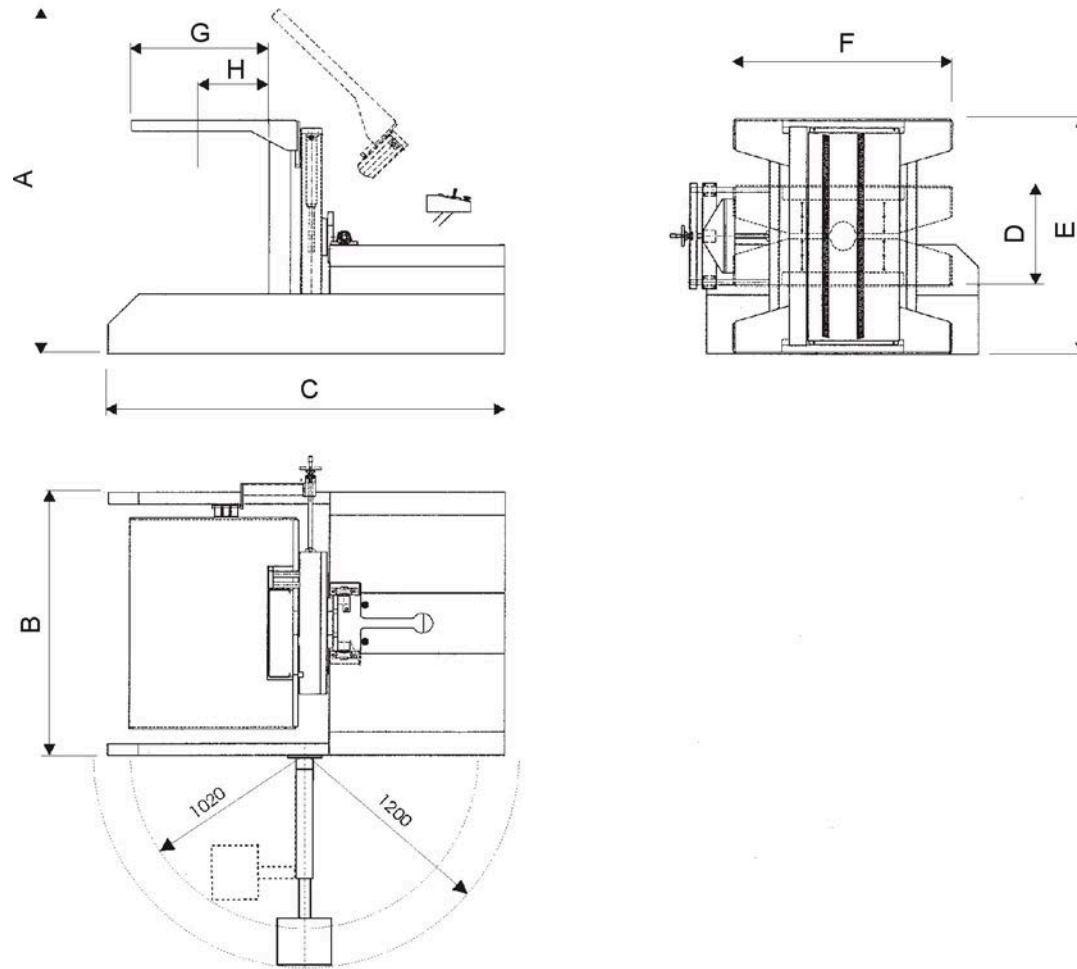
	PW - 4	PW - 4 ABV
A [mm]	2,180 / 2,580*	2,180 / 2,580*
B [mm]	1,640	1,640
C [mm]	2,470	2,470
D [mm]	600 / 990*	600 / 990*
E [mm]	1,380 / 1,770*	1,380 / 1,770*
F [mm]	1,330	1,330
G [mm]	800	800
H [mm]	400	400
Weight, net [kg]	1,125 / 1,550*	1,425 / 1,650*
Format, min. (X) [mm]	-	600
Format, max. (X) [mm]	1,200	1,200
Format, max. (Y) [mm]	800	800
Platform size, max. (X) [mm]	1,300	1,300
Platform size, max. (Y) [mm]	900	900
Pile height, max., incl. 2 machine pallets [mm]	1,365 / 1,755*	1,365 / 1,755*
Pile height, min., incl. 2 machine pallets [mm]	580 / 970*	580 / 970*
Carrying capacity, max. [kg]	1,200	1,200
Duration of turning cycle / pile (sec.)	38	38
Max. height (incl. swivel area) [mm]	2,180 / 2,580*	2,180 / 2,580*
Electr. power draw (apparent power) [kVA]	4.0	7.0
Thermal output [BTU/h]	12,973	22,704
Please note! The wire cross section of the main power supply to the machine must comply with the regulations in the country of use. The same applies to the plug-in connections used.		

* with extended opening (option)



PILE TURNER PW 6

Technical data



	PW - 6 ABV
A [mm]	2.630
B [mm]	2.200
C [mm]	3.000
D [mm]	780
E [mm]	1.830
F [mm]	1.616
G [mm]	1050
H [mm]	525
Weight, net [kg]	2.470
Format, min. (X) [mm]	880
Format, max. (X) [mm]	1.450
Format, max. (Y) [mm]	1.050
Platform size, max. (X) [mm]	1.480
Platform size, max. (Y) [mm]	1.100
Pile height, max., incl. 2 machine pallets [mm]	1.740
Pile height, min., incl. 2 machine pallets [mm]	750
Carrying capacity, max. [kg]	1.800
Duration of turning cycle / pile (sec.)	68
Max. height (incl. swivel area) [mm]	2.630
Electr. power draw (apparent power) [kVA]	7,8
Thermal output [BTU/h]	26.621

Please note!

The wire cross section of the main power supply to the machine must comply with the regulations in the country of use. The same applies to the plug-in connections used.

